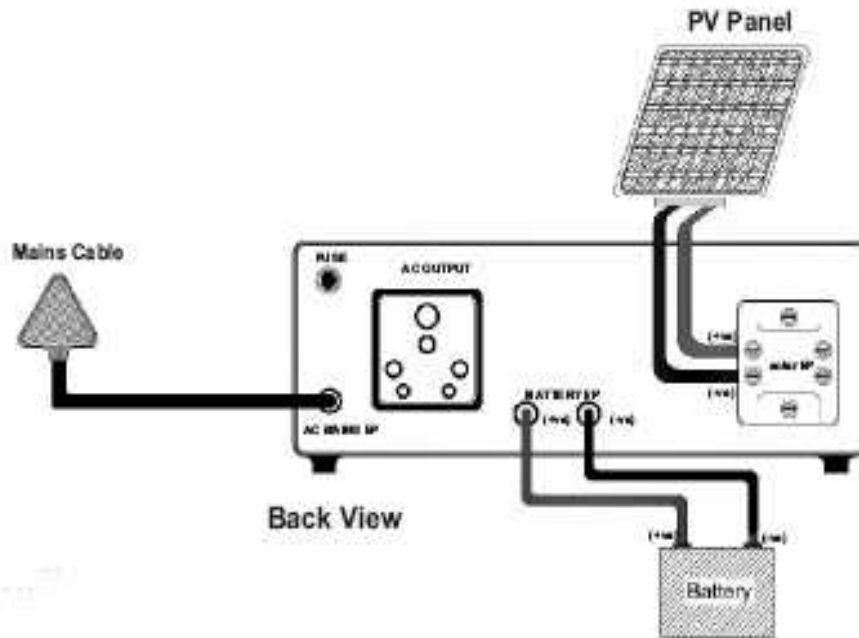


Solar Power Conditioning Unit – 300W (450 VA), 12V with 30A MPPT CC – up to 1600W.

The solar power conditioning units are a new generation of inverters, changing DC energy from solar modules into clean, stable AC power. The design offers highest efficiency, integrated advanced microprocessor based technology combined with pure sine wave output – to make it suitable for high end electrical and electronics equipments.



Description / Features of Power Conditioning Units:

- Nominal Output power: 300W onwards (Ratings up to 1600W are available)
- AC Output: 230V (+/- 5%); 50 Hz (+/- 1%); Pure Sine Wave (THD < 3%).
- Battery is always charged thro' solar as a priority.
- Nominal Voltage (Charge controller) : 12V / 24 V /48V DC .
- Inverter Efficiency > 85 %.
- Overload , Over - temperature , Phase Reversal , Surge protections
- Typically suited for loads like
 - CFL / Incandescent / Fluorescent lamps
 - Table Fan / Ceiling Fan
 - Computers / Television
- Inbuilt MPPT / PWM charge controller.
- IP 20 enclosure / LCD display.
- 2 year Manufacturer warrantee.

Terms of delivery & Prices:

- Please contact us for more information along with your requirements.